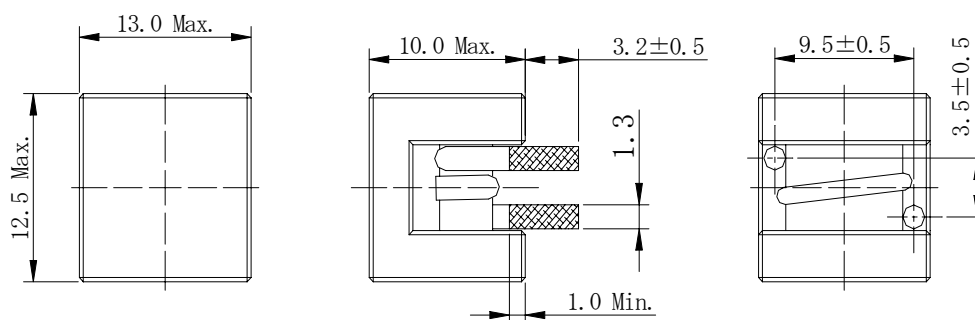
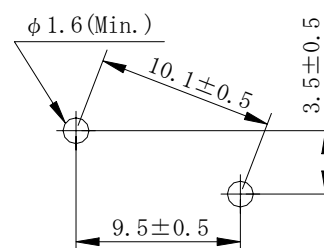


Type: DEF119
◆ Product Description

- 13.0×12.5mm Max.(L×W),10.0mm Max. Height.
- Inductance Range: 0.32~0.43 μH
- Rated current range:29.5A(Saturation Current range:42~48A)
- Custom design is available.


◆ Feature

- Magnetically shielded construction.
- Mn-Zn core used super high DC saturation current inductors.
- Ideally used in motherboard power supply.
- RoHS Compliance.

◆ Dimensions (mm)

◆ Reference PCB piercing plan dimension(mm)

◆ Specification

Part Name	Stamp	Inductance (μH) 100kHz	D.C.R (at 20°C) (mΩ)	Saturation Current (A) ※1	Temperature rise current (A) ※2
DEF119NP-R32M	R32M	0.32±20%	0.65±20%	48.0	29.5
DEF119NP-R43M	R43M	0.43±20%	0.65±20%	42.0	29.5

※1. Saturation current: The DC current at which the inductance decreases to 75% of its nominal value.

※2. Temperature rise current: The DC current at which the temperature rise is Δt=40°C(Ta=20°C).